

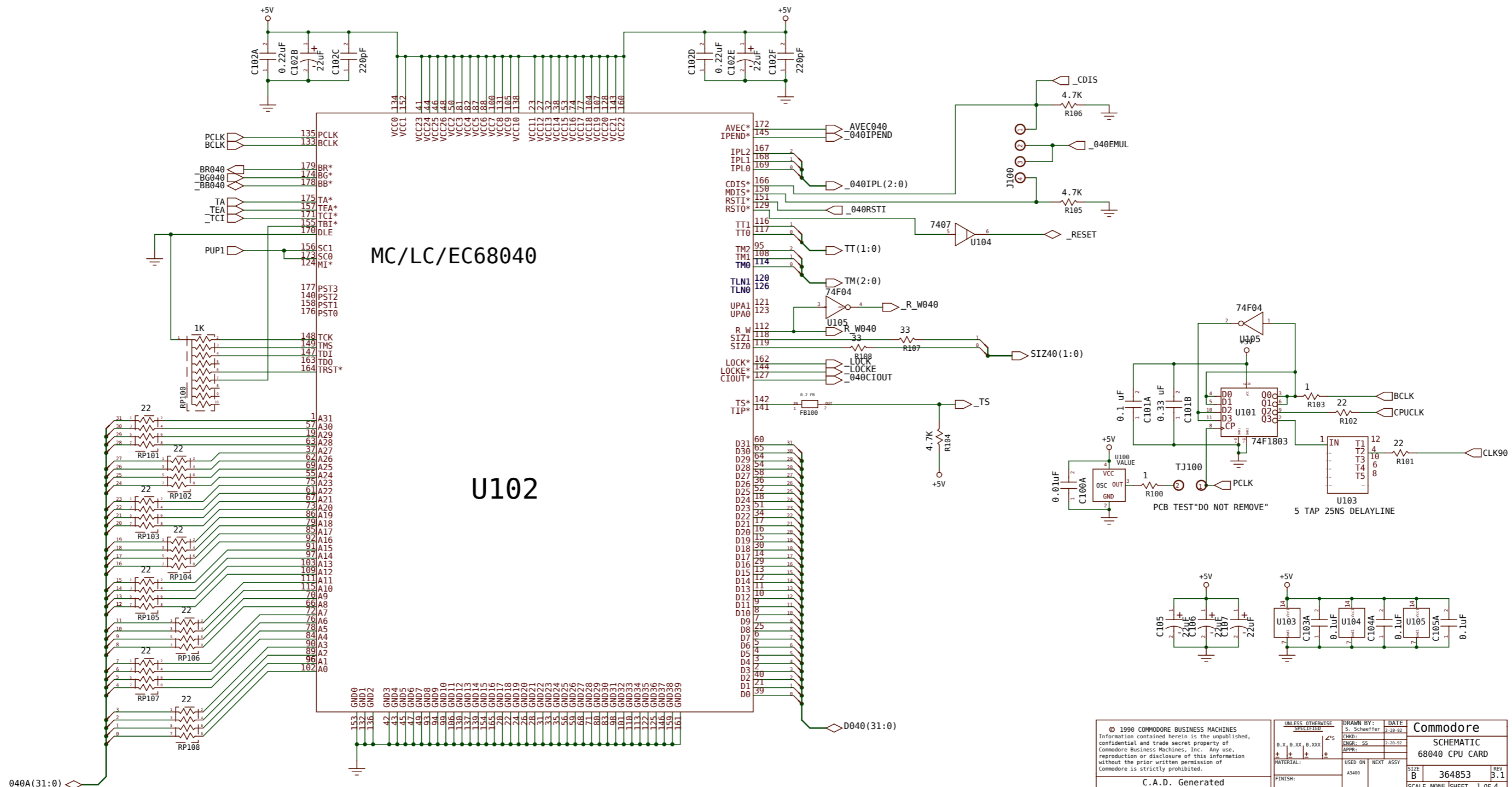
# Amiga

# A3640\_R3

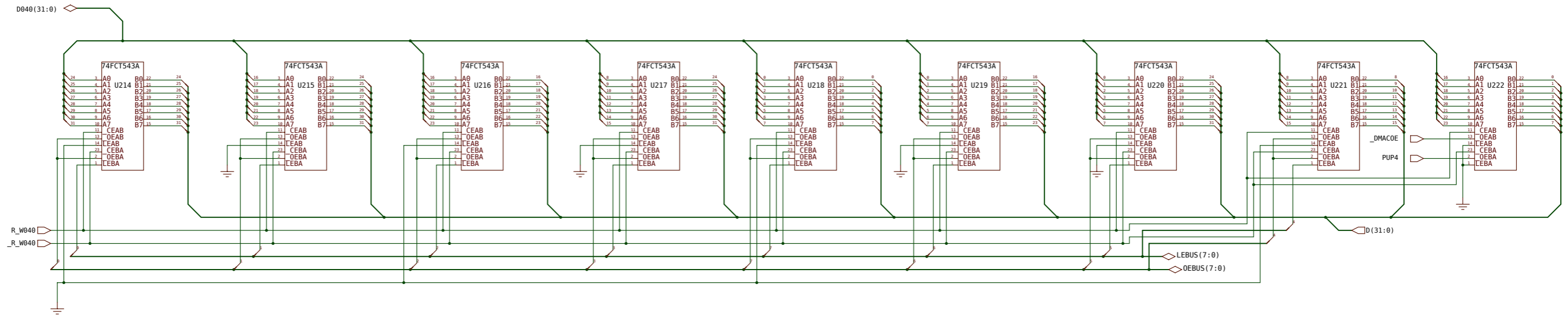
Rev.1.37 (02.09.2012)



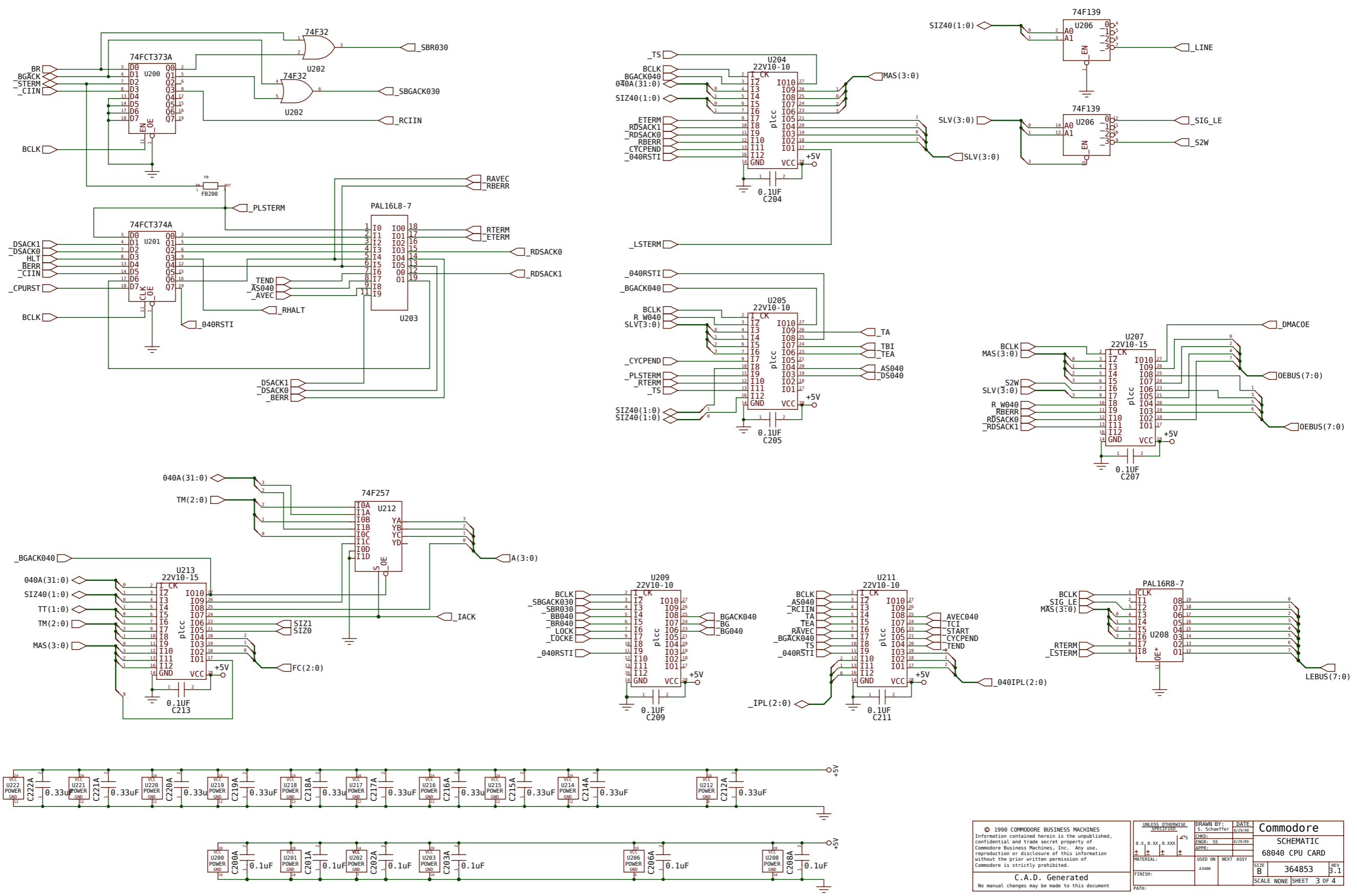
[www.amigawiki.org](http://www.amigawiki.org)



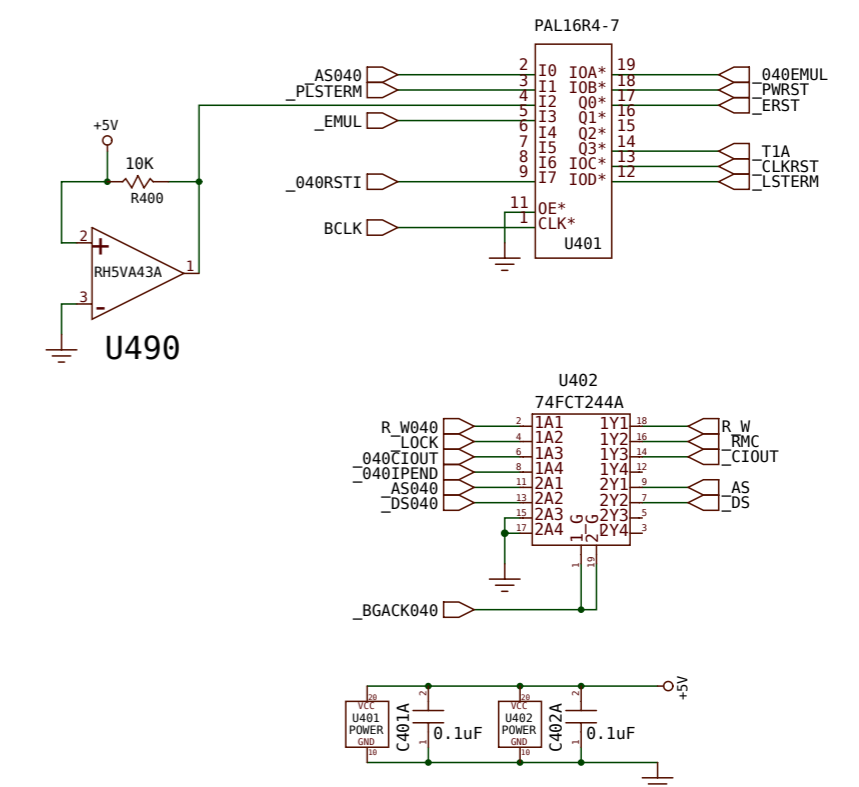
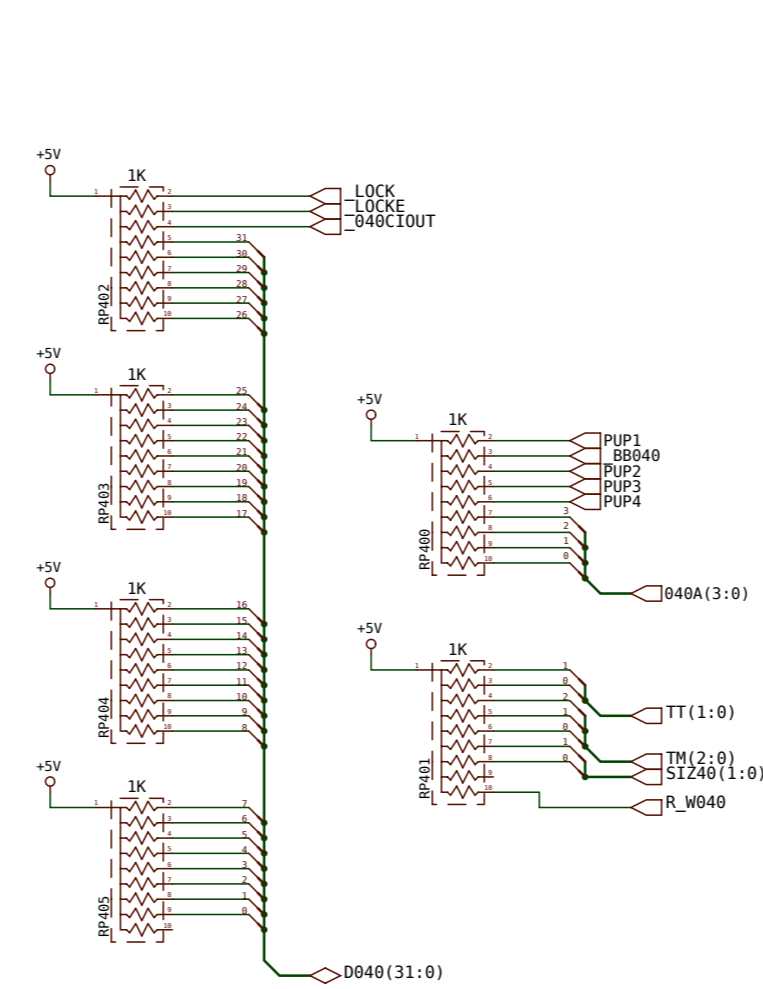
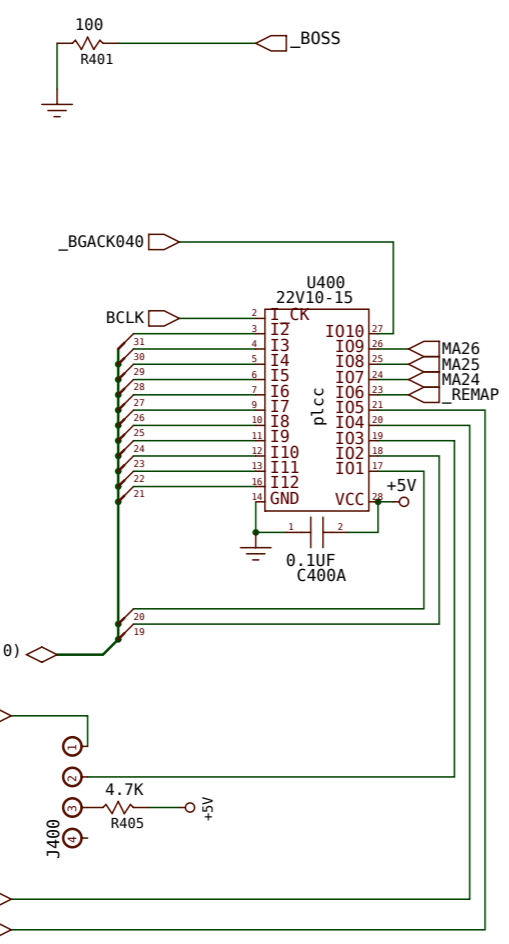
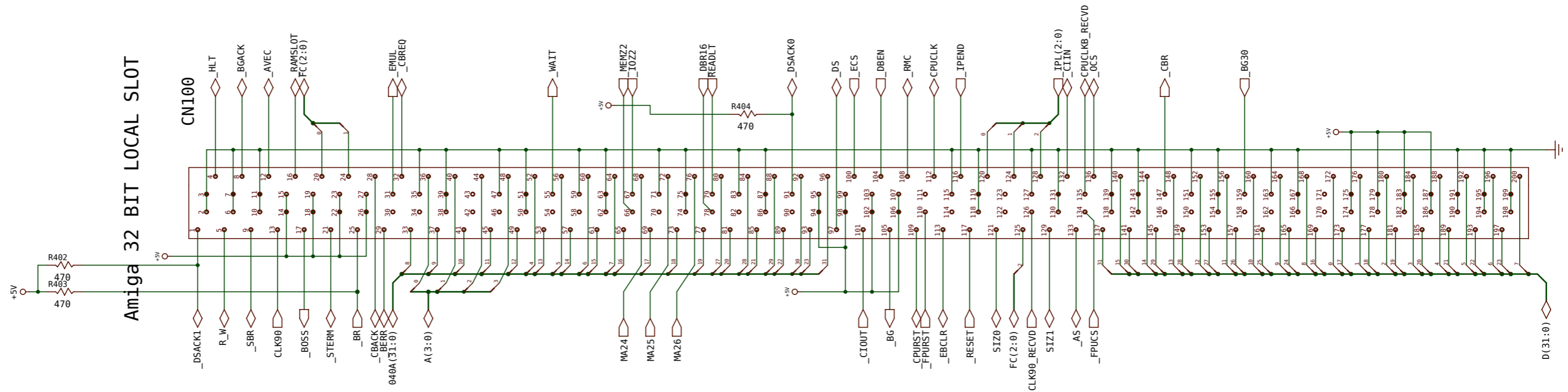
© 1990 COMMODORE BUSINESS MACHINES Information contained herein is the unpublished, confidential and trade secret property of Commodore Business Machines, Inc. Any use, reproduction or disclosure of this information without the prior written permission of Commodore is strictly prohibited.		UNLESS OTHERWISE SPECIFIED 0.X, 0.XX, 0.XXX ±, ±±, ±±±	DRAWN BY: S. Schaeffer ENGR: SS APPR:	DATE 2-20-92	<b>Commodore</b> SCHEMATIC 68040 CPU CARD		
C.A.D. Generated No manual changes may be made to this document		MATERIAL: FINISH:	USED ON A3400	NEXT ASSY		SIZE B	364853 REV 3.1



© 1990 COMMODORE BUSINESS MACHINES Information contained herein is the unpublished, confidential and trade secret property of Commodore Business Machines, Inc. Any use, reproduction or disclosure of this information without the prior written permission of Commodore is strictly prohibited.		UNLESS OTHERWISE SPECIFIED	DRAWN BY: S. Schaeffer	DATE: 07/08/90	<b>Commodore</b>
C.A.D. Generated No manual changes may be made to this document		SCALE: 1:1	APPROVED: S. Schaeffer	USED ON: A3400	<b>SCHMATIC</b>
		SCALE: NONE		NEXT ASSY:	<b>68040 CPU CARD</b>
					REV: B 364853 5.1
					SCALE NONE SHEET 2 OF 4



© 1990 COMMODORE BUSINESS MACHINES Information contained herein is the unpublished, confidential and trade secret property of Commodore Business Machines, Inc. Any use, reproduction or disclosure of this information without the prior written permission of Commodore is strictly prohibited.		DRAWN BY: S. Schaeffer DATE: 8/29/90		<b>Commodore</b>	
UNLESS OTHERWISE SPECIFIED: DIMENSIONS: 1/16" ± 0.001" MATERIAL: A3400		USED ON NEXT ASSY: A3400		SCHEMATIC 68040 CPU CARD	
C.A.D. Generated No manual changes may be made to this document		FINISH: A3400		SIZE: B SCALE: NONE SHEET: 3 OF 4	



© 1990 COMMODORE BUSINESS MACHINES Information contained herein is the unpublished, confidential and trade secret property of Commodore Business Machines, Inc. Any use, reproduction or disclosure of this information without the prior written permission of Commodore is strictly prohibited.		UNLESS OTHERWISE SPECIFIED: DIM: 0.X, 0.XX, 0.XXX ±	DRAWN BY: S. Schaeffer DATE: 8/29/89 ENGR: SS APPR:	USED ON NEXT ASSY	Commodore SCHEMATIC 68040 CPU CARD	
C.A.D. Generated No manual changes may be made to this document		FINISH: A3400	SCALE: NONE	SHEET: 4 OF 4	REV: 3.1	